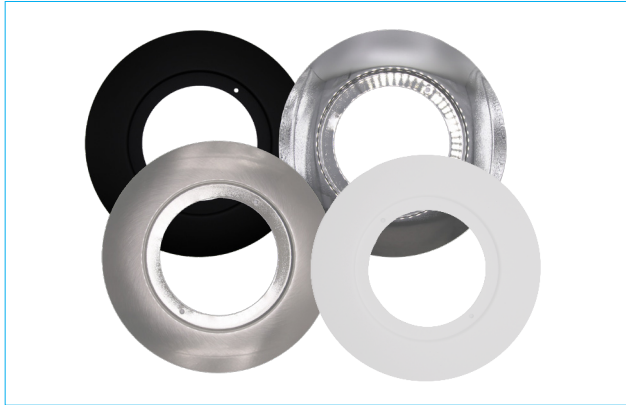


TECHNICAL DATASHEET

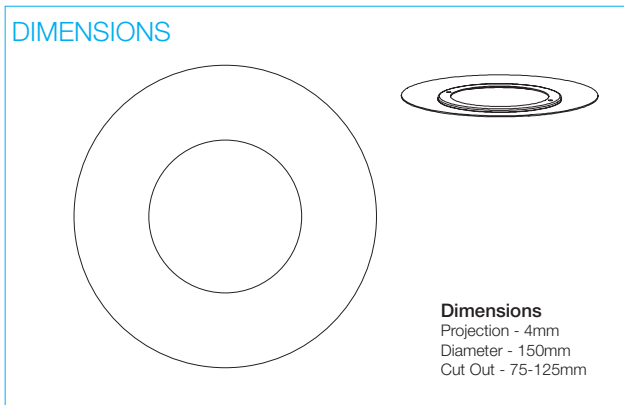
AFD75/CP/** iCan Converter Kit



PRODUCT FEATURES

- Can Be Used To Install Into Existing Space
- Available in Carbon Black, Polished Chrome, Satin Nickel and Polar White
- For Use with iCan75 and iCan75 Platinum
- Cut Out - 75-125mm
- Diameter - 150mm

DIMENSIONS



Dimensions
Projection - 4mm
Diameter - 150mm
Cut Out - 75-125mm