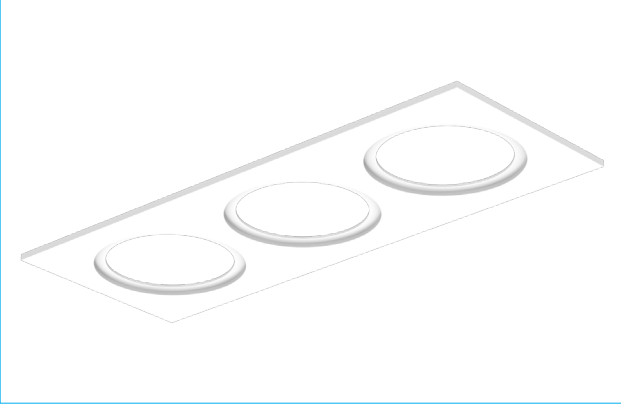


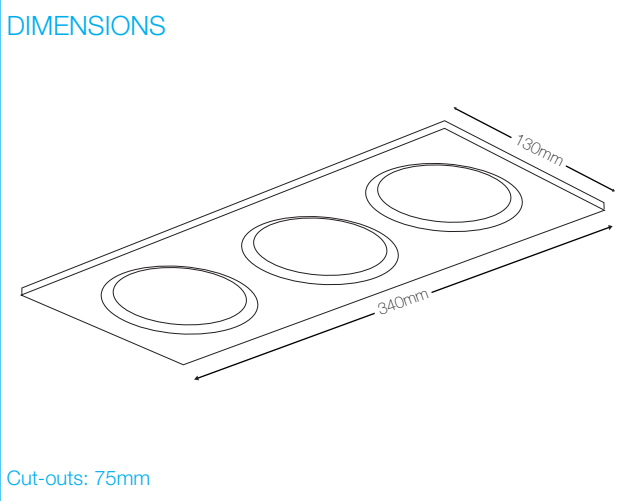
TECHNICAL DATASHEET

AFD75/M/03

iCan75 Trio Multiple Plate for iCan75



DIMENSIONS



PRODUCT FEATURES

- Polar White Powder Coat Finish
- Compatible with iCan75



PRODUCT CODE	AFD75/M/03
Guarantee	Life Time
Material	Aluminium
Cutout	Ø75mm
Colour/Finish	Polar White