

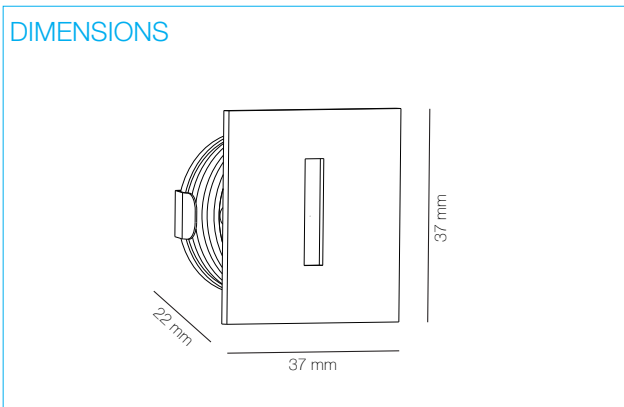
## TECHNICAL DATASHEET

ALSQ032SC/PC/\*\*

**Sloane Linear** 1W LED 350mA IP65 Low Level

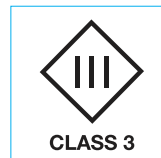
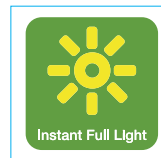


### DIMENSIONS



### PRODUCT FEATURES

- Anti-Glare Low Level LED Lighting
- Clear Glass Provides A Sharp Edged Beam For Strong Architectural Effect
- Ideal for Stair Lighting and Plinth
- Ultra Slim Profile
- Dimmable When Used With A Dimmable LED Driver
- 350mA Constant Current (Series Wiring)
- 1m Pre-Wired Cable
- IP65



PRODUCT CODE	ALSQ032SC/PC/30	ALSQ032SC/PC/40
RATED POWER	1W	1W
LUMINOUS FLUX	≤80 lm	≤90 lm
COLOUR TEMPERATURE	3000K	4000K
BEAM ANGLE	90°	90°
INGRESS PROTECTION	IP65	IP65
OPERATING TEMPERATURE	-20 ~ 50 °C	-20 ~ 50 °C
LIFETIME TO LM70	50,000H	50,000H
SWITCHING CYCLES	<100,000	<100,000
RA	>80	>80
OVERALL DIAMETER	37MM X 37MM	37MM X 37MM
CUTOUT DIAMETER	Ø32 MM	Ø32 MM
BEZEL MATERIAL	Polished Chrome	Polished Chrome