

TECHNICAL DATASHEET

APNL1260A/CCT

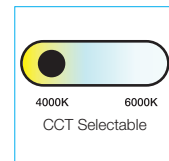
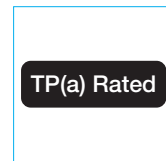
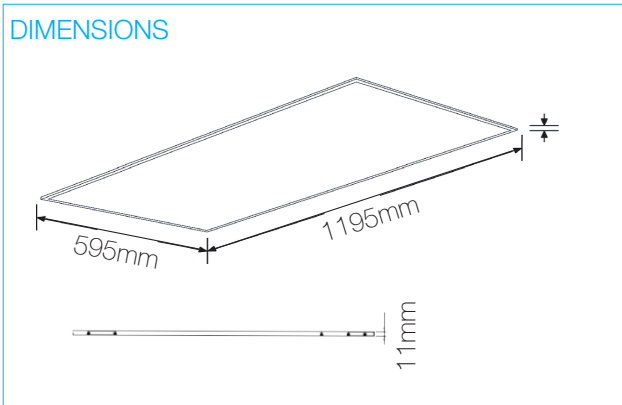
Altitude 60W 1200x600 LED CCT Selectable Panel TP(a) Rated



PRODUCT FEATURES

- White Painted Frame (RAL9016)
- CCT Selectable (4000K/6000K)
- TP(a) Flame Retardant Fire Rating
- Maintenance Free
- UV Stable
- UGR19
- Flicker Free
- 5 Year Guarantee
- Slimline Design Enables Installation In Shallow Ceiling Voids
- Pre-Wired LED Driver & DC Connector

DIMENSIONS



PRODUCT CODE	APNL1260A/CCT
Frame Colour	Matt White RAL9003
Wattage	60W
Operating Voltage	200-240VAC
Frequency	50-60Hz
CCT	DUAL CCT 4000K & 6000K
CRI	>80
PF	>0.9
Beam Angle	120°
Peak Intensity	2080cd
Lifetime to LM70	50,000H to LM70
Lumens	≤6000lm
Switching Cycles	>25,000
Ambient Operating Temp	-10°~45°C
SDCM	<6
Starting Time	Instant Full Light
Ingress Protection	IP20
Connector	Male and Female DC Quick Connector
Class	Class II (Luminaire) & Class III (LED Driver)