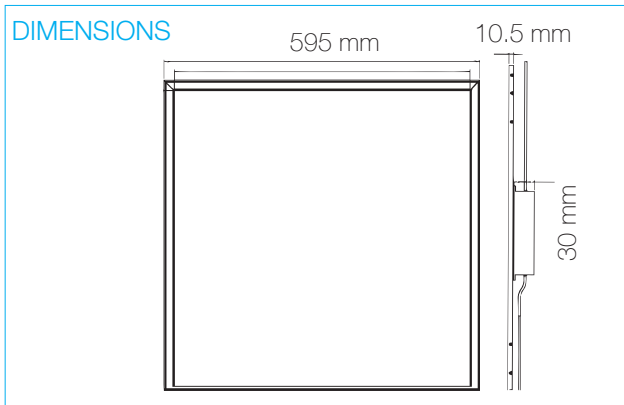


TECHNICAL DATASHEET

APNL640A/CCT/EM

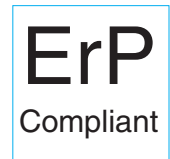
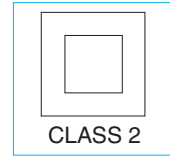
Altitude 40W LED Panel Tp(a) Rated, Emergency, CCT Changeable



PRODUCT FEATURES

- Flicker Free
- TPA Flame Retardant Fire Rating
- Preflexed LED Driver & Quick DC Connector
- White Frame
- Rigid Construction

Tp(a) Rated



PRODUCT CODE	APNL640A/CCT/EM
Frame Colour	Matt White RAL9003
Rated Power	40W
Frequency	50-60Hz
CCT	Dual CCT 4000K - 6000K
CRI	>80
PF	>0.9
Beam Angle	120°
Peak Intensity	1215 cd
Life Time to LM70	50,000H
Lumens	≤4200lm (4000K), ≤4300lm (6000K)
Switching Cycles	25,000
Ambient Operating Temp	-10 ~ 40°C
SDCM	<6
Starting Time	Instant Full Light
Ingress Protection	IP20
Connector	Male and Female DC quick connector
Class	II
Guarantee	5 Years
Emergency Duration	3 Hours

