

TECHNICAL DATASHEET

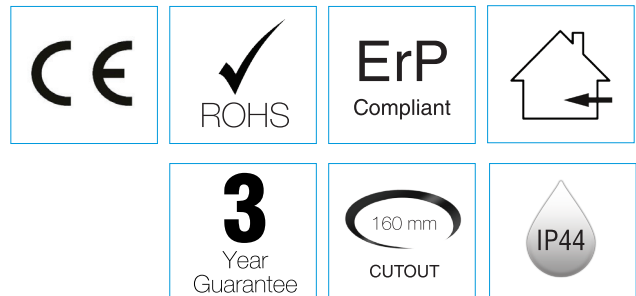
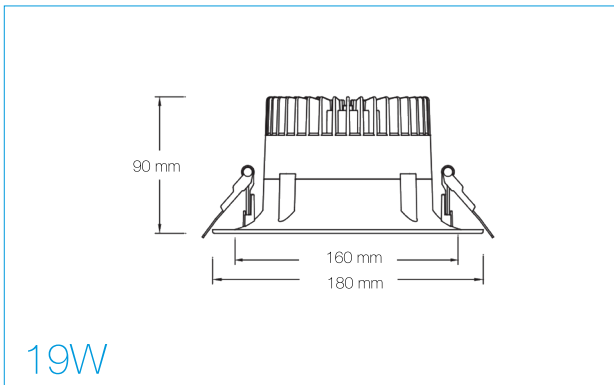
ACR10019W/40
19W Specification Downlight



PRODUCT FEATURES

- High Performance LED and Reflector System
- Glare-Reducing Design
- Superior Matt White Finish
- Pre-Wired to Driver (Included)

Options Available:



PRODUCT CODE	ACR10019W/40
Power	19W
Lumens	1800 lm
Colour Temperature	4000K
Beam Angle	60°
CRI	>80
IP	IP44
Lifetime (Hours to Im70)	30,000 h
Voltage	100-240 V AC