

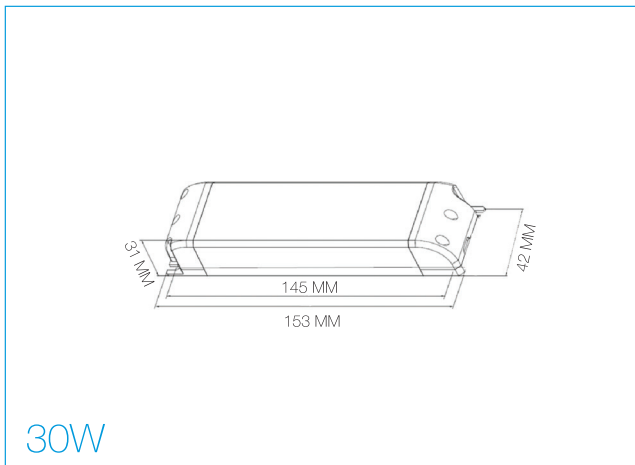
## TECHNICAL DATASHEET

ADRCV1230  
30W 12V DC CONSTANT VOLTAGE



### PRODUCT FEATURES

- Constant Voltage LED Power Supply
- Moulded Polycarbonate Body
- Overload Protection
- Regulated Output
- Thermal Cutout
- SELV Rated



PRODUCT CODE	ADRCV1230
Operating Voltage	220-240 V AC
Output Voltage	12V DC
Output Wattage	0-30W
Output Current (Max.)	2.5A
Temperature	-15~+45°C