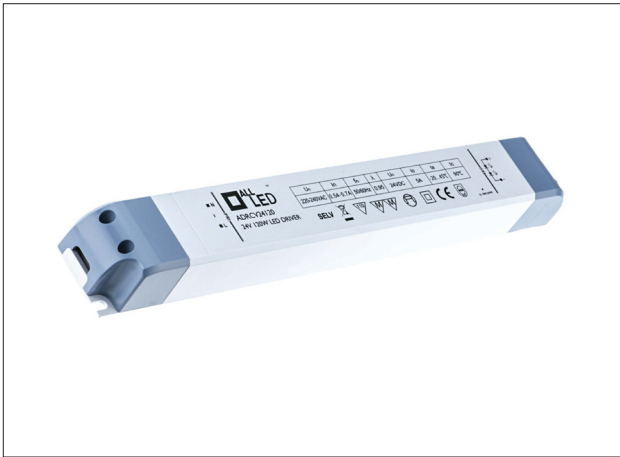


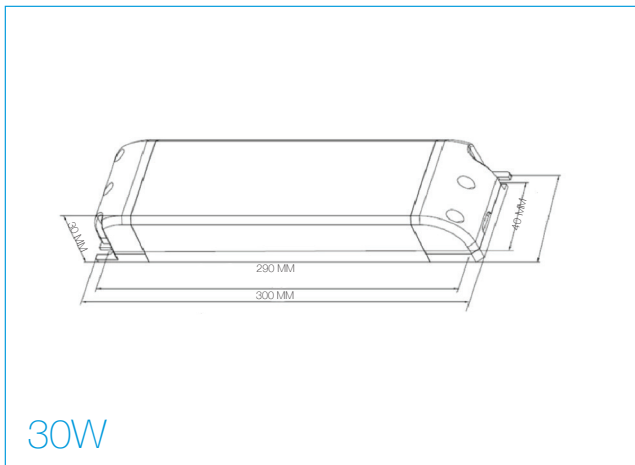
## TECHNICAL DATASHEET

ADRCV24120  
120W 24V DC CONSTANT VOLTAGE LED DRIVER



### PRODUCT FEATURES

- Constant Voltage LED Power Supply
- Moulded Polycarbonate Body
- Overload Protection
- Regulated Output
- Thermal Cutout
- SELV Rated



PRODUCT CODE	ADRCV24120
Operating Voltage	220-240 V AC
Output Voltage	24V DC
Operating Load	0-120W
Output Current (Max.)	5A
Temperature	-15~+45°C