

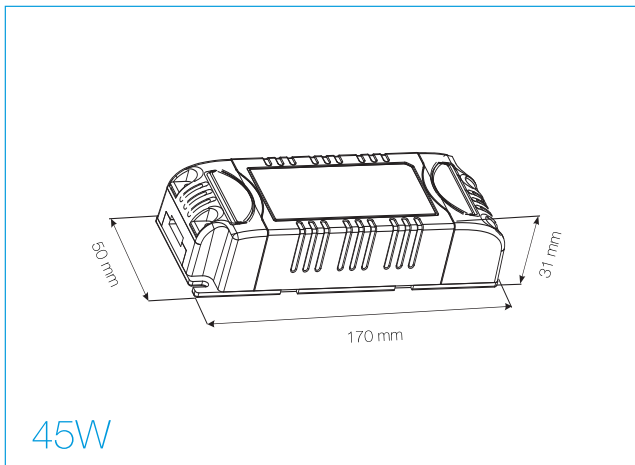
TECHNICAL DATASHEET

ADRCV2445TD
45W 24V DC CONSTANT VOLTAGE TRIAC DIMMABLE



PRODUCT FEATURES

- Constant Voltage LED Power Supply
- Moulded Polycarbonate Body
- Overload Protection
- Regulated Output
- Thermal Cutout
- SELV Rated
- Triac Dimmable



MAINS
DIMMABLE

PRODUCT CODE	ADRCV2445TD
Operating Voltage	180-240 V AC
Output Voltage	24V DC
Operating Load	30-45W
Output Current (Max.)	1.87A
Temperature	-30~+45°C