

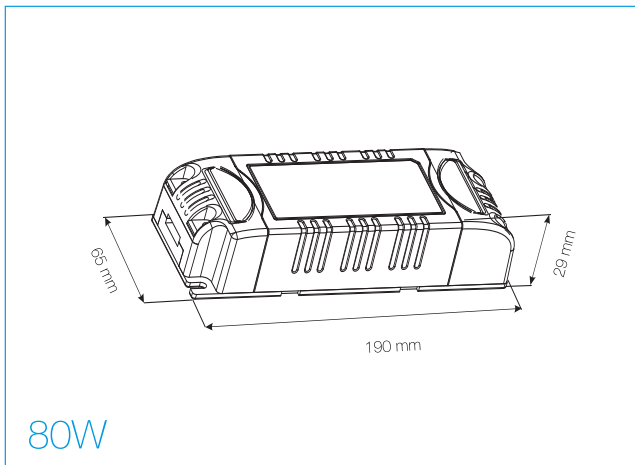
TECHNICAL DATASHEET

ADRCV2480TD
80W 24V DC CONSTANT VOLTAGE TRIAC DIMMABLE



PRODUCT FEATURES

- Constant Voltage LED Power Supply
- Moulded Polycarbonate Body
- Overload Protection
- Regulated Output
- Thermal Cutout
- SELV Rated
- Triac Dimmable



		ErP Compliant	
	3 Year Guarantee	24V	

PRODUCT CODE	ADRCV2480TD
Operating Voltage	180-240 V AC
Output Voltage	24V DC
Operating Load	60-80W
Output Current (Max.)	3.33A
Temperature	-30~+45°C