

TECHNICAL DATASHEET

AFPD012
12W LED COMMERCIAL SLIMLINE DOWNLIGHTS



PRODUCT FEATURES

- White Finish
- Uniform Light Distribution
- Twist-Lock DC Connector Installed
- Pre-Flexed Driver Facilitating Quick Installation
- Slimline Design
- High Output LED Diodes

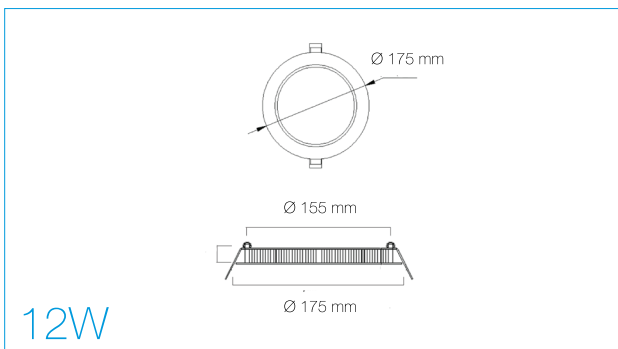
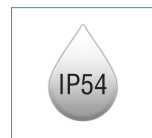
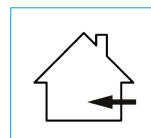
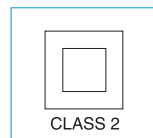
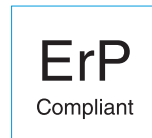
Options Available:

MAINS
DIMMABLE

EM

1-10V

1-10V
EMERGENCY



PRODUCT CODE	AFPD012/30	AFPD012/40
Power	12W	12W
Lumens	840 lm	900 lm
Colour Temperature	3000K	4000K
Beam Angle	120°	120°
CRI	>80	>80
IP	IP54	IP54
Lifetime (Hours to lm70)	25,000 h	25,000 h
Voltage	85-265V AC	85-265V AC
Temperature	-20°C ~ +60°C	-20°C ~ +60°C
Cutout Diameter	155 MM	155 MM