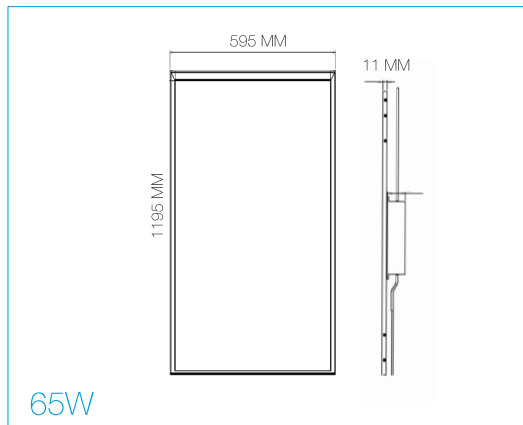


## TECHNICAL DATASHEET

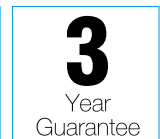
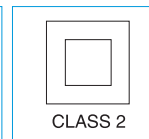
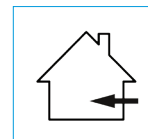
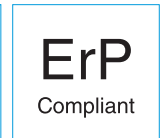
APNL1260/60  
65W Slimline LED Panel



### PRODUCT FEATURES

- White Aluminium Frame
- Rigid Construction
- High Light Output, Low Glare
- Twist-Lock DC Connector Installed
- Pre-Flexed Driver for Rapid Installation

Options Available:



PRODUCT CODE	APNL1260/60
Power	65W
Lumens	6000 lm
Colour Temperature	6000K
Beam Angle	120°
CRI	>80
IP	IP20
Lifetime (Hours to Im70)	30,000 h
Voltage	200-240 V AC
Emergency Duration	3 Hours