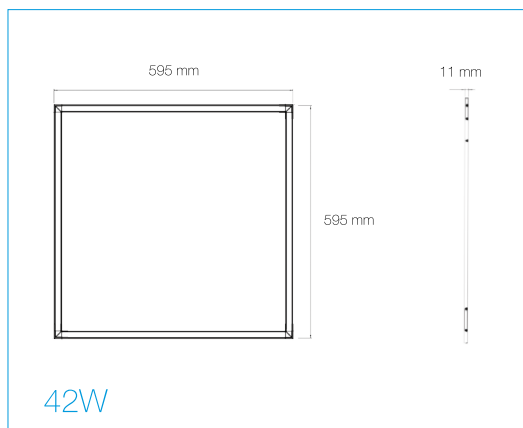
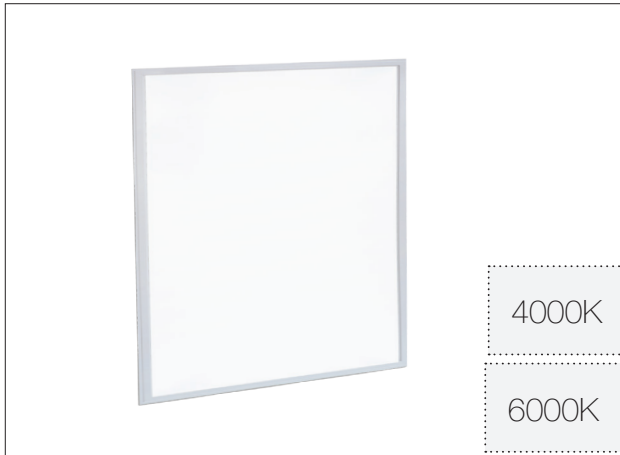


TECHNICAL DATASHEET

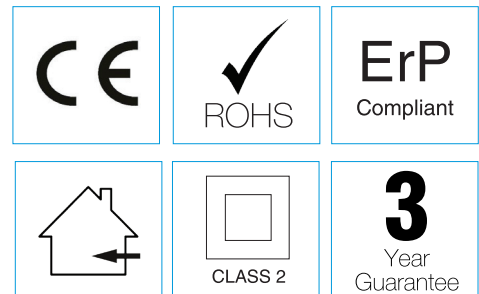
APNL642
42W Slimline LED Panel 600X600



PRODUCT FEATURES

- White Aluminium Frame
- Rigid Construction
- High Light Output, Low Glare
- Ideal to Replace Traditional 4x18W T8, or 4x14W T5 Fluorescent Luminaires
- Pre-Flexed Driver for Rapid Installation

Options Available:



PRODUCT CODE	APNL642/40	APNL642/60
Power	42W	42W
Lumens	≤4000 lm	≤4100 lm
Colour Temperature	4000K	6000K
Beam Angle	120°	120°
CRI	>80	>80
IP	IP20	IP20
Lifetime (Hours to Im70)	30,000 h	30,000 h
Voltage	200-240 V AC	200-240 V AC
Emergency Duration	3 Hours	3 Hours