

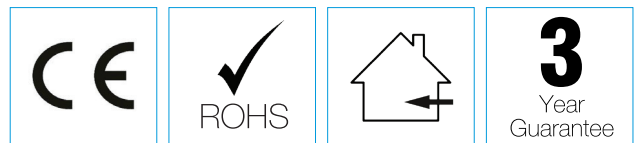
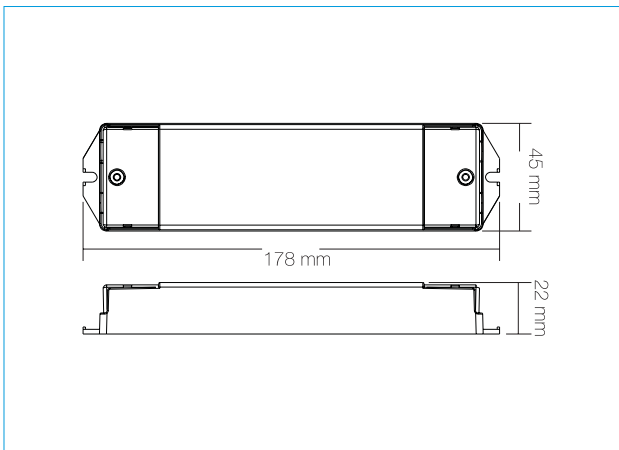
TECHNICAL DATASHEET

ASC/WIFI/REC
WIFI CONTROLS



PRODUCT FEATURES

RF Receiver Constant Voltage
For Single colour,
or for CCT,
or for RGB,
or for RGBW LED Lights



PRODUCT CODE	ASC/WIFI/REC
Frequency	868 MHz
Operating Voltage	220-240V AC