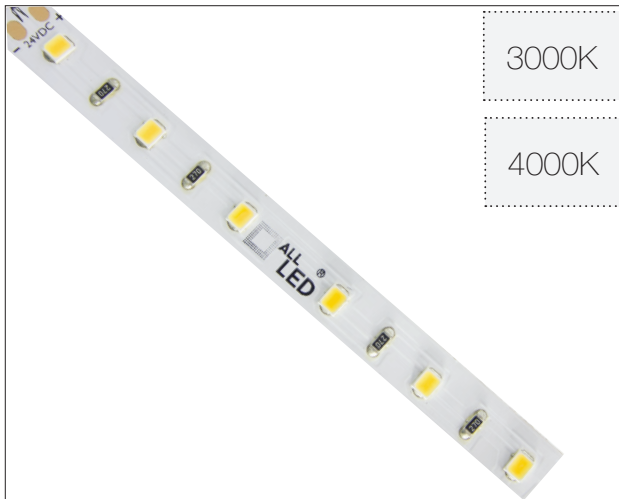


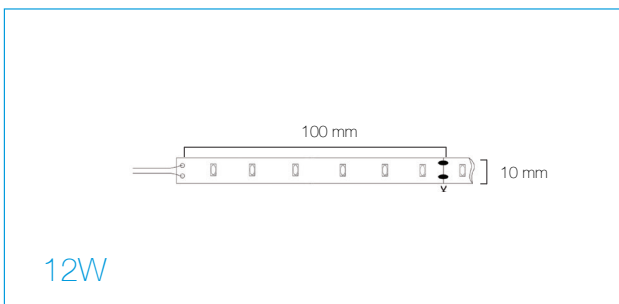
# TECHNICAL DATASHEET

AST012  
12W IP20 LED Strip



## PRODUCT FEATURES

- Can Be Cut at 100mm Intervals
- Ideal for Effect Lighting
- Low Consumption Fluorescent Alternative
- Suitable for Providing Light in Area of Limited Space
- Large solder points
- Better clip connections
- Thicker PCB
- Improved thermal management
- Improved life time
- More efficient strip
- Slimline design




PRODUCT RANGE	AST012/30	AST012/40
Power	12W/M	12W/M
Lumens	≤980 lm	≤1060 lm
Beam Angle	120°	120°
CRI	>80	>80
IP	IP20	IP20
Lifetime (Hours to Im70)	30,000H to LM70	30,000H to LM70
Voltage	24V DC	24V DC
Temperature	-20°~40°C	-20°~40°C